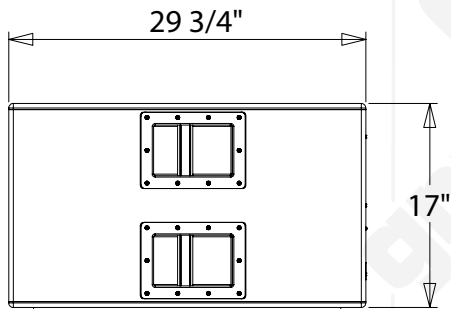
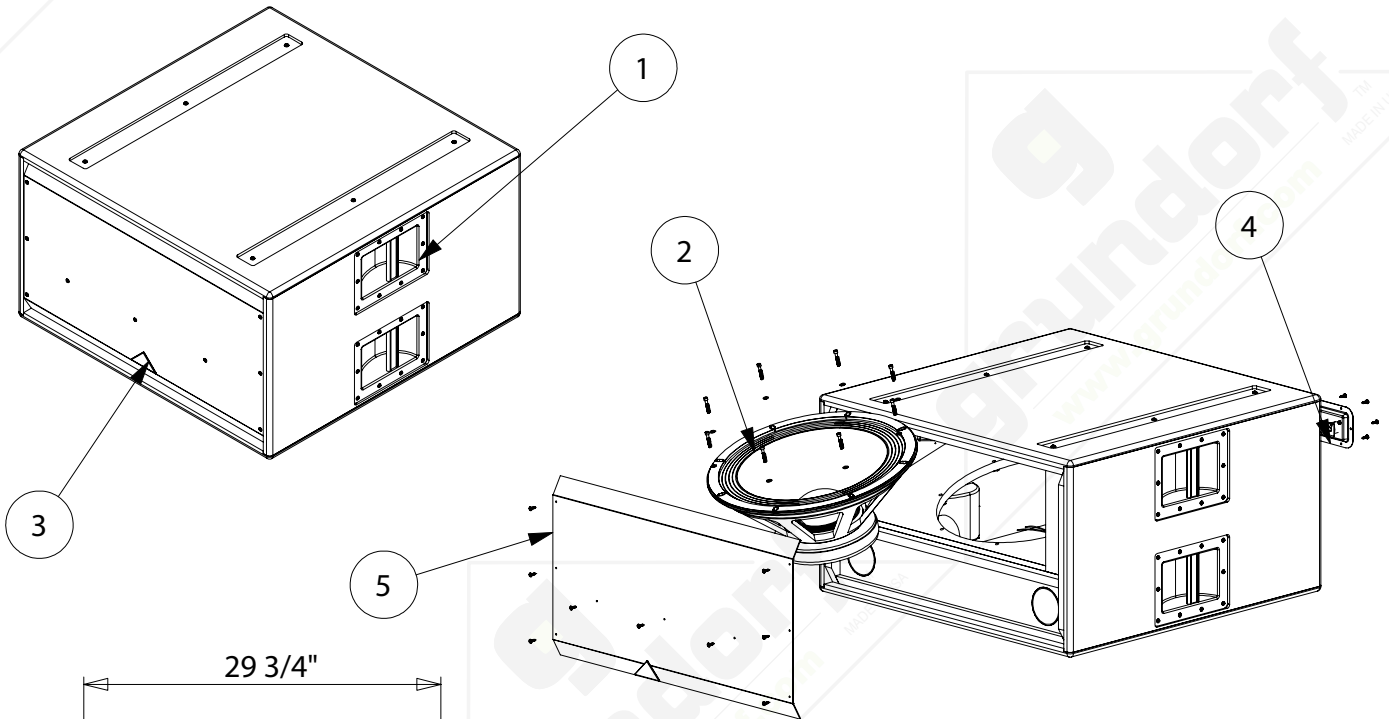
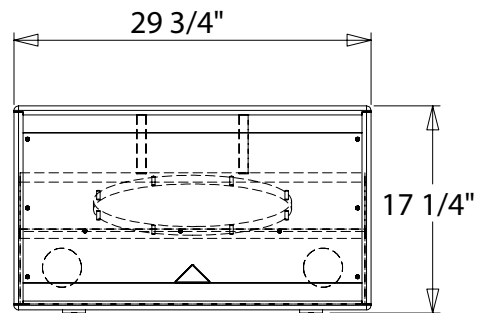


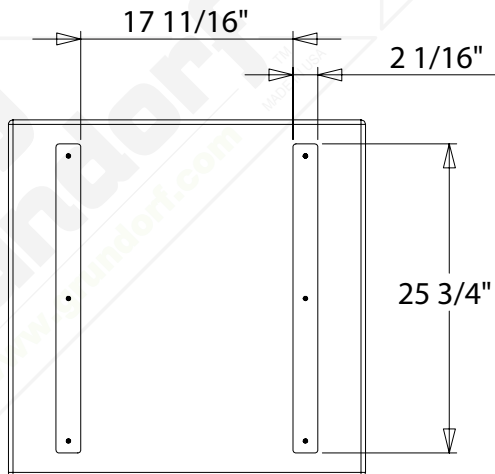
#	Qty	PART NUMBER	DESCRIPTION
1	4	31-014	HANDLE - SM STEEL BAR - BLACK
2	1	51-071	LOUDSPEAKER - 18"/1000 W/8 OHM
3	1	52-061	BADGE - GT
4	1	60-008	TERMINAL PLATE/METAL - WITH 2 x NEUTRIK INPUTS
5	1	GT-LPB-18C-Grill	28 1/4" x 16 3/8"



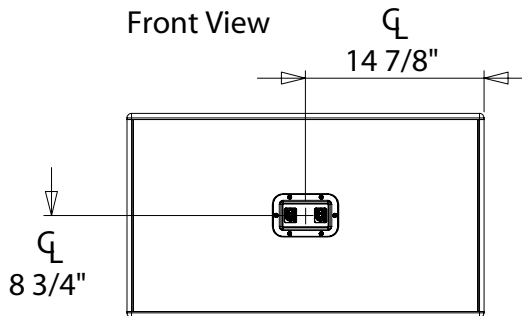
Side View



Front View



Top View



Back View